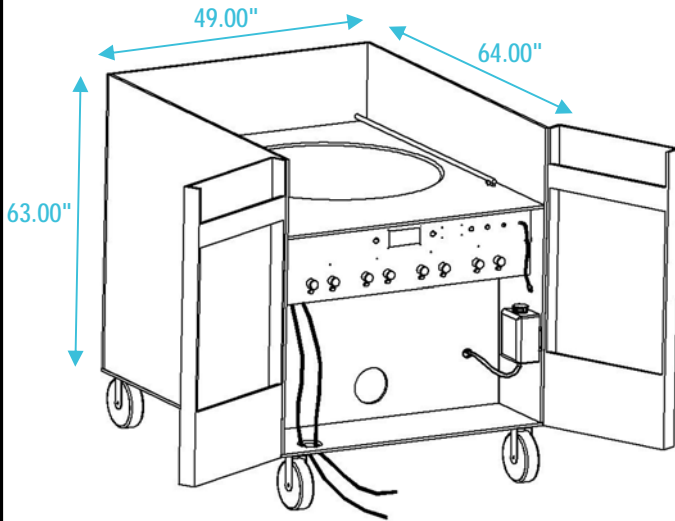


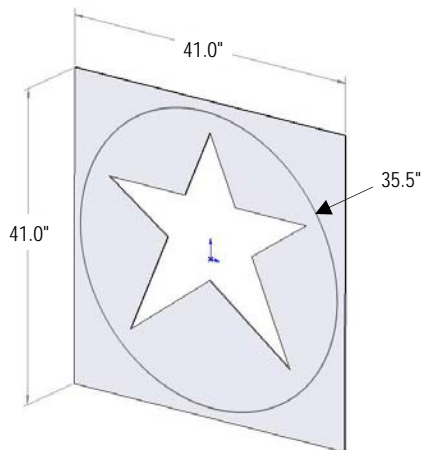
Flogo 36"



Flogo® 36" Generator Dimensions



Flogo® 36" Stencil Dimensions



Specifications for 36"

Size of Unit: 49in/1.24m L x 64in/1.63m W x 63in/1.60m H (including wheels).

Shipping Weight: 325 lbs/147.42 kg, without fluid. 509 lbs/230.88 kg, with fluid.

Material: Wood covered ABS road case.

Electrical Requirements:

Two 20 Amp, 110V circuits per machine.

Also available in 100V, 220V, and 12V DC (by request).

Priming Time: 10-15 minutes.

Noise Levels: 58db @ 3 meters.

FPM = Flogos® Per Minute:

Depends on the desired thickness. On average, one every 30 to 35 seconds.

Colors Available: Black.

Flogo® Machine Controls:

This machine is semi automatic. Operator must watch the rate of Flogos® per minute. Available timer control settings: 5 seconds - 60 seconds.

Required External Gases:

Flogo® requires a constant flow of helium and compressed air.

Air Compressor: A steady 50 PSI/3.44 Bar @ 5 SCFM/141.6 L/min

Helium Usage:

NOTE: These calculations are for an average helium setting of 2.

1 head @ 16 cubic ft/hr (7.5 L/min) X 4 heads (on Flogo® 36")
= 64 cubic ft/hr (1.81 cubic m/hr)

For a 300 cubic foot (8.4 cubic meter) helium tank:
300 / 64 = 4.69 hours of use (@ setting 2)

Custom Flogos® must adhere to sample guidelines.



256-229-5551
800-745-8599

www.flogos.net