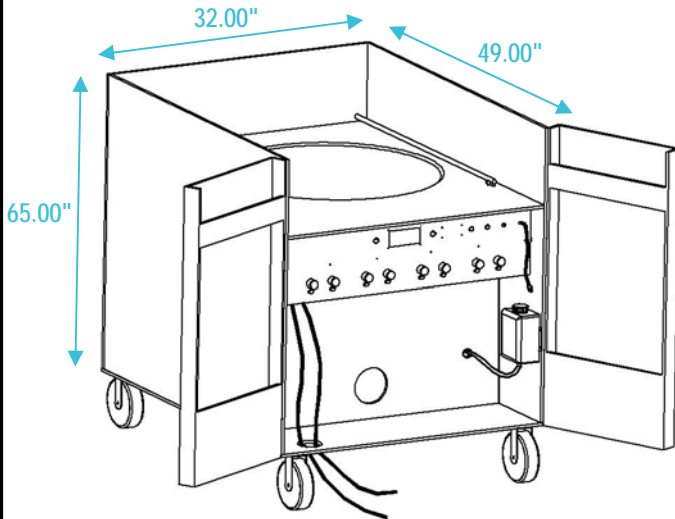


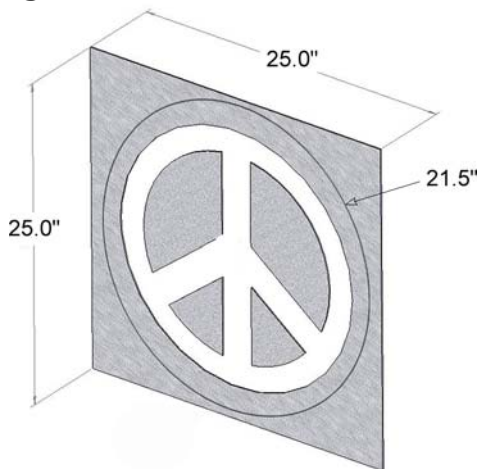
Flogo 24"



Flogo® 24" Generator Dimensions



Flogo® 24" Stencil Dimensions



Specifications for 24"

Size of Unit: 32in/.81m L x 49in/1.24m W x 65in/1.65m H (including wheels).
Shipping Weight: 300 lbs/136 kg, without fluid. 372 lbs/168 kg, with fluid.
Material: Wood covered ABS road case.

Electrical Requirements:

Two 20 Amp, 110V circuits per machine.
Also available in 100V, 220V, and 12V DC (by request).

Priming Time: 10-15 minutes.

Noise Levels: 58db @ 3 meters.

FPM = Flogos® Per Minute:

Depends on the desired thickness. On average, one every 15 to 20 seconds.

Colors Available: Black.

Flogo® Machine Controls:

This machine is semi automatic. Operator must watch the rate of Flogos® per minute. Available timer control settings: 5 seconds - 60 seconds.

Required External Gases:

Flogo® requires a constant flow of helium and compressed air.

Air Compressor: A steady 50 PSI/3.44 Bar @ 5 SCFM/141.6 L/min

Helium Usage:

NOTE: These calculations are for an average helium setting of 2.

1 head @ 16 cubic ft/hr (7.5 L/min) X 3 heads (on Flogo® 24")
= 48 cubic ft/hr (1.34 cubic m/hr)

For a 300 cubic foot (8.4 cubic meter) helium tank:
 $300 / 48 = 6.25$ hours of use (@ setting 2)

Custom Flogos® must adhere to sample guidelines.



256-229-5551
800-745-8599

www.flogos.net